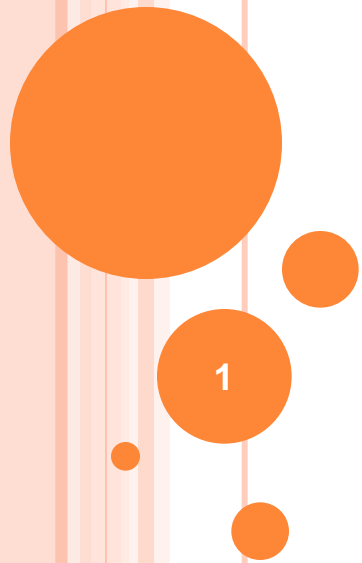


8085 INTERRUPTS



1

INTERRUPTS

- Interrupt is a process where an external device can get the attention of the microprocessor.
 - The process **starts** from the I/O device
 - The process is **asynchronous**.
- Classification of Interrupts
 - Interrupts can be classified into two types:
 - Maskable Interrupts (Can be delayed or Rejected)
 - Non-Maskable Interrupts (Can not be delayed or Rejected)
- Interrupts can also be classified into:
 - Vectored (the address of the service routine is hard-wired)
 - Non-vectored (the address of the service routine needs to be supplied externally by the device)

INTERRUPTS

- An interrupt is considered to be an **emergency** signal that may be serviced.
 - The Microprocessor may respond to it **as soon as possible**.
- What happens when MP is interrupted ?
 - When the Microprocessor receives an interrupt signal, it **suspends the currently executing program** and **jumps to an Interrupt Service Routine (ISR)** to respond to the incoming interrupt.
 - Each interrupt will most probably have its own ISR.

RESPONDING TO INTERRUPTS

- Responding to an interrupt may be **immediate** or **delayed** depending on whether the interrupt is maskable or non-maskable and whether interrupts are being masked or not.
- There are two ways of redirecting the execution to the ISR depending on whether the interrupt is vectored or non-vectored.
 - Vectored: The address of the subroutine is **already known** to the Microprocessor
 - Non Vectored: The **device will have to supply** the address of the subroutine to the Microprocessor

THE 8085 INTERRUPTS

- When a device interrupts, it actually wants the MP to give a service which is equivalent to asking the MP to call a subroutine. This subroutine is called ISR (Interrupt Service Routine)
- The 'EI' instruction is a one byte instruction and is used to Enable the non-maskable interrupts.
- The 'DI' instruction is a one byte instruction and is used to Disable the non-maskable interrupts.
- The 8085 has a single **Non-Maskable** interrupt.
 - The non-maskable interrupt is not affected by the value of the Interrupt Enable flip flop.

THE 8085 INTERRUPTS

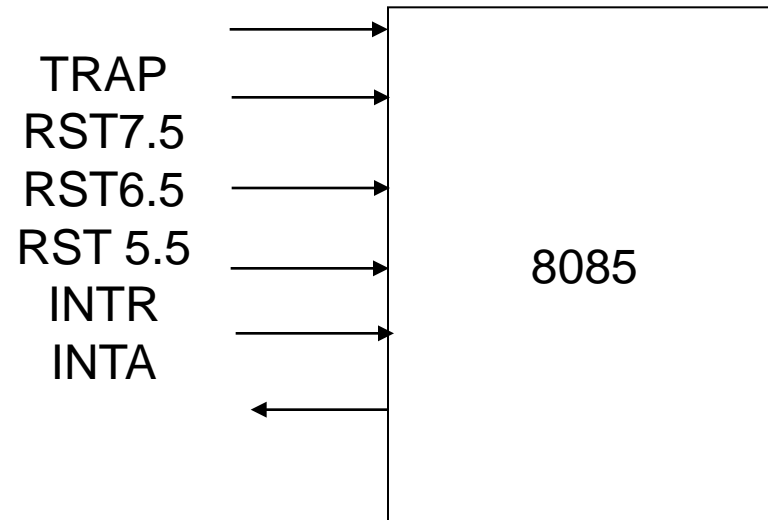
- The 8085 has 5 interrupt inputs.
 - The INTR input.
 - The INTR input is the only **non-vector** interrupt.
 - INTR is **maskable** using the EI/DI instruction pair.
 - RST 5.5, RST 6.5, RST 7.5 are all **automatically vectored**.
 - RST 5.5, RST 6.5, and RST 7.5 are all **maskable**.
 - TRAP is the only **non-maskable** interrupt in the 8085
 - TRAP is also **automatically vectored**

THE 8085 INTERRUPTS

Interrupt name	Maskable	Vectored
INTR	Yes	No
RST 5.5	Yes	Yes
RST 6.5	Yes	Yes
RST 7.5	Yes	Yes
TRAP	No	Yes



8085 INTERRUPTS



INTERRUPT VECTORS AND THE VECTOR TABLE

- An **interrupt vector** is a pointer to where the ISR is stored in memory.
- All interrupts (vectored or otherwise) are mapped onto a memory area called the **Interrupt Vector Table (IVT)**.
 - The IVT is usually located in **memory page 00** (0000H - 00FFH).
 - The purpose of the IVT is to hold the vectors that redirect the microprocessor to the right place when an interrupt arrives.

- Example: Let , a device interrupts the Microprocessor using the RST 7.5 interrupt line.
 - Because the RST 7.5 interrupt is vectored, Microprocessor knows , in which memory location it has to go using a call instruction to get the ISR address. RST7.5 is known as Call 003Ch to Microprocessor. Microprocessor goes to 003C location and will get a JMP instruction to the actual ISR address. The Microprocessor will then, jump to the ISR location
 - The process is illustrated in the next slide..

THE 8085 NON-VECTORED INTERRUPT PROCESS

1. The interrupt process should be **enabled** using the **EI** instruction.
2. The 8085 checks for an interrupt during the execution of **every** instruction.
3. If INTR is high, MP completes current instruction, disables the interrupt and sends INTA (Interrupt acknowledge) signal to the device that interrupted
4. INTA allows the I/O device to send a RST instruction through data bus.
5. Upon receiving the INTA signal, MP saves the memory location of the next instruction on the stack and the program is transferred to 'call' location (ISR Call) specified by the RST instruction

THE 8085 NON-VECTORED INTERRUPT PROCESS

6. Microprocessor Performs the ISR.
7. ISR must include the 'EI' instruction to enable the further interrupt within the program.
8. RET instruction at the end of the ISR allows the MP to retrieve the return address from the stack and the program is transferred back to where the program was interrupted.

** See the example of the Class that showed how interrupt process works for this 8 steps **

THE 8085 NON-VECTORED INTERRUPT PROCESS

- The 8085 recognizes 8 RESTART instructions: RST0 - RST7.
 - each of these would send the execution to a predetermined hard-wired memory location:

Restart Instruction	Equivalent to
RST0	CALL 0000H
RST1	CALL 0008H
RST2	CALL 0010H
RST3	CALL 0018H
RST4	CALL 0020H
RST5	CALL 0028H
RST6	CALL 0030H
RST7	CALL 0038H

RESTART SEQUENCE

- The restart sequence is made up of three machine cycles
 - In the 1st machine cycle:
 - The microprocessor sends the INTA signal.
 - While INTA is active the microprocessor reads the data lines expecting to receive, from the interrupting device, the opcode for the specific RST instruction.
 - In the 2nd and 3rd machine cycles:
 - the 16-bit address of the next instruction is saved on the stack.
 - Then the microprocessor jumps to the address associated with the specified RST instruction.

TIMING DIAGRAM OF RESTART SEQUENCE

- See the Page 380, Figure 12.2, of your Text Book for the Timing Diagram of the RST instruction

HARDWARE GENERATION OF RST OPCODE

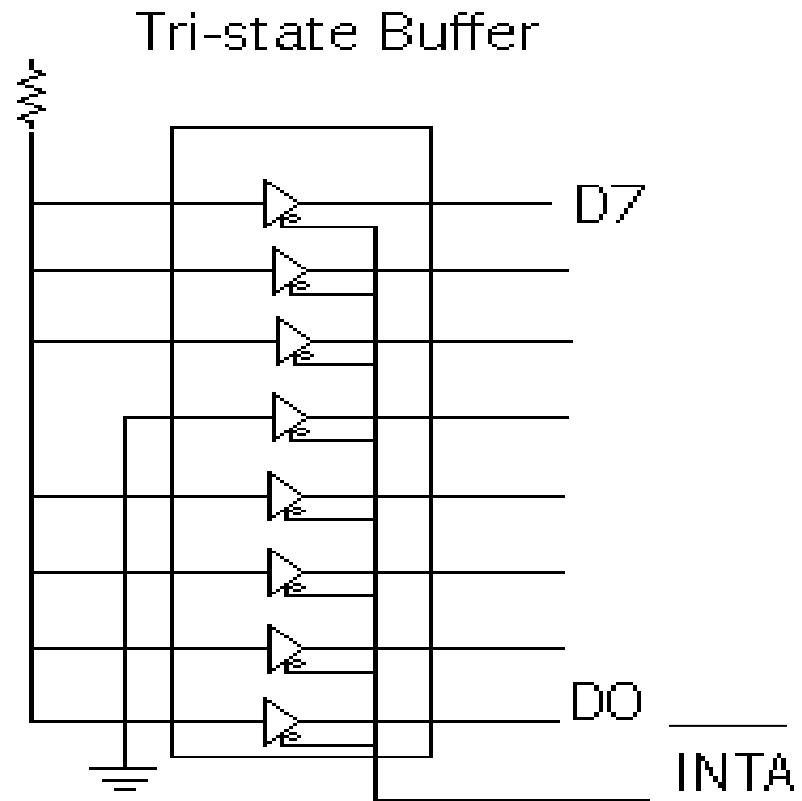
- How does the external device produce the opcode for the appropriate RST instruction?
 - The opcode is simply a collection of bits.
 - So, the device needs to set the bits of the data bus to the appropriate value in response to an INTA signal.

HARDWARE GENERATION OF RST OPCODE

The following is an example of generating RST 5:

RST 5's opcode is EF =

D	D
7	6
6	5
5	4
4	3
3	2
2	1
1	0
1	1
1	1
1	1



HARDWARE GENERATION OF RST OPCODE

- During the interrupt acknowledge machine cycle, (the 1st machine cycle of the RST operation):
 - The Microprocessor activates the INTA signal.
 - This signal will enable the Tri-state buffers, which will place the value EFH on the data bus.
 - Therefore, sending the Microprocessor the RST 5 instruction.
- The RST 5 instruction is exactly equivalent to CALL 0028H

ISSUES IN IMPLEMENTING INTR INTERRUPTS

- How long must INTR remain high?
 - The microprocessor checks the INTR line one clock cycle before the last T-state of each instruction.
 - The INTR must remain active long enough to allow for the longest instruction.
 - The longest instruction for the 8085 is the conditional CALL instruction which requires 18 T-states.
- Therefore, the INTR must remain active for 17.5 T-states.
- If $f = 3\text{MHz}$ then $T = 1/f$ and so, INTR must remain active for $[(1/3\text{MHz}) * 17.5 \approx 5.8 \text{ micro seconds}]$.

ISSUES IN IMPLEMENTING INTR INTERRUPTS

- How long can the INTR remain high?
 - The INTR line must be deactivated before the EI is executed. Otherwise, the microprocessor will be interrupted again.
 - Once the microprocessor starts to respond to an INTR interrupt, INTA becomes active (=0).

Therefore, INTR should be turned off as soon as the INTA signal is received.

ISSUES IN IMPLEMENTING INTR INTERRUPTS

- Can the microprocessor be interrupted again before the completion of the ISR?
 - As soon as the 1st interrupt arrives, all maskable interrupts are disabled.
 - They will only be enabled after the execution of the EI instruction.

Therefore, the answer is: “only if we allow it to”.

If the EI instruction is placed early in the ISR, other interrupt may occur before the ISR is done.

MULTIPLE INTERRUPTS & PRIORITIES

- How do we allow multiple devices to interrupt using the INTR line?
 - The microprocessor can only respond to one signal on INTR at a time.
 - Therefore, we must allow the signal from only one of the devices to reach the microprocessor.
 - We must assign some priority to the different devices and allow their signals to reach the microprocessor according to the priority.

THE PRIORITY ENCODER

- The solution is to use a circuit called the priority encoder (74LS148).
 - This circuit has 8 inputs and 3 outputs.
 - The inputs are assigned increasing priorities according to the increasing index of the input.
 - Input 7 has highest priority and input 0 has the lowest.
 - The 3 outputs carry the index of the highest priority active input.
 - Figure 12.4 in the book shows how this circuit can be used with a Tri-state buffer to implement an interrupt priority scheme.

MULTIPLE INTERRUPTS & PRIORITIES

- Note that the opcodes for the different RST instructions follow a set pattern.
 - Bit D5, D4 and D3 of the opcodes change in a binary sequence from RST 7 down to RST 0.
 - The other bits are always 1.
 - This allows the code generated by the 74366 to be used directly to choose the appropriate RST instruction.
- The one draw back to this scheme is that the only way to change the priority of the devices connected to the 74366 is to reconnect the hardware.

THE 8085 MASKABLE/VECTORED INTERRUPTS

- The 8085 has 4 Masked/Vectored interrupt inputs.
 - RST 5.5, RST 6.5, RST 7.5
 - They are all **maskable**.
 - They are **automatically vectored** according to the following table:

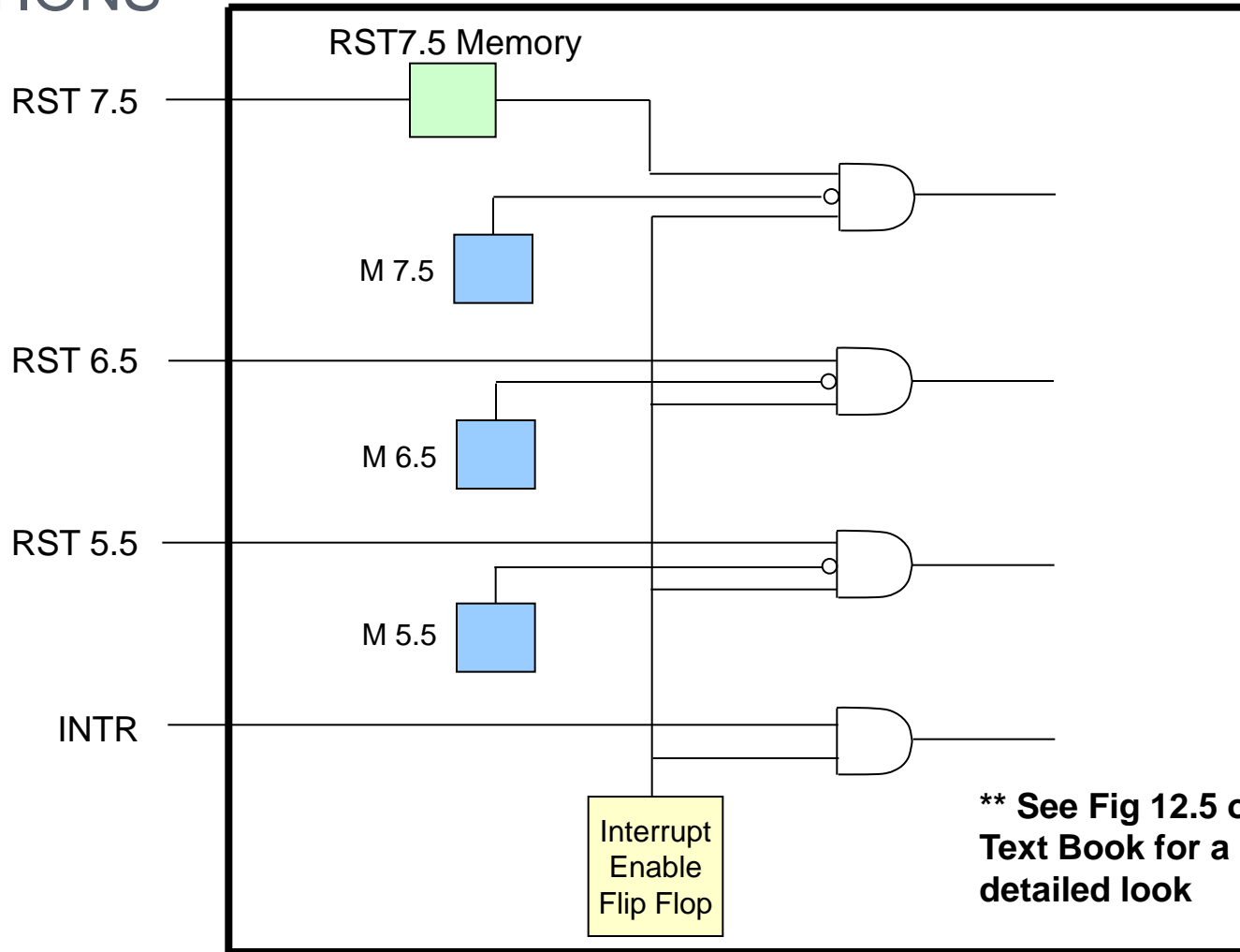
Interrupt	Vector
RST 5.5	002CH
RST 6.5	0034H
RST 7.5	003CH

- The vectors for these interrupt fall in between the vectors for the RST instructions. That's why they have names like RST 5.5 (RST 5 and a half).

MASKING RST 5.5, RST 6.5 AND RST 7.5

- These three interrupts are masked at two levels:
 - Through the Interrupt Enable flip flop and the EI/DI instructions.
 - The Interrupt Enable flip flop controls the whole maskable interrupt process.
 - Through individual mask flip flops that control the availability of the individual interrupts.
 - These flip flops control the interrupts individually.

MASKABLE INTERRUPTS AND VECTOR LOCATIONS



**** See Fig 12.5 of the Text Book for a detailed look**

THE 8085 MASKABLE/VECTORED INTERRUPT PROCESS

1. The interrupt process should be **enabled** using the **EI** instruction.
2. The 8085 checks for an interrupt during the execution of **every** instruction.
3. If there is an interrupt, and if the interrupt is enabled using the interrupt mask, the microprocessor will **complete the executing instruction**, and **reset the interrupt flip flop**.
4. The microprocessor then executes a call instruction that sends the execution to the **appropriate** location in the interrupt vector table.

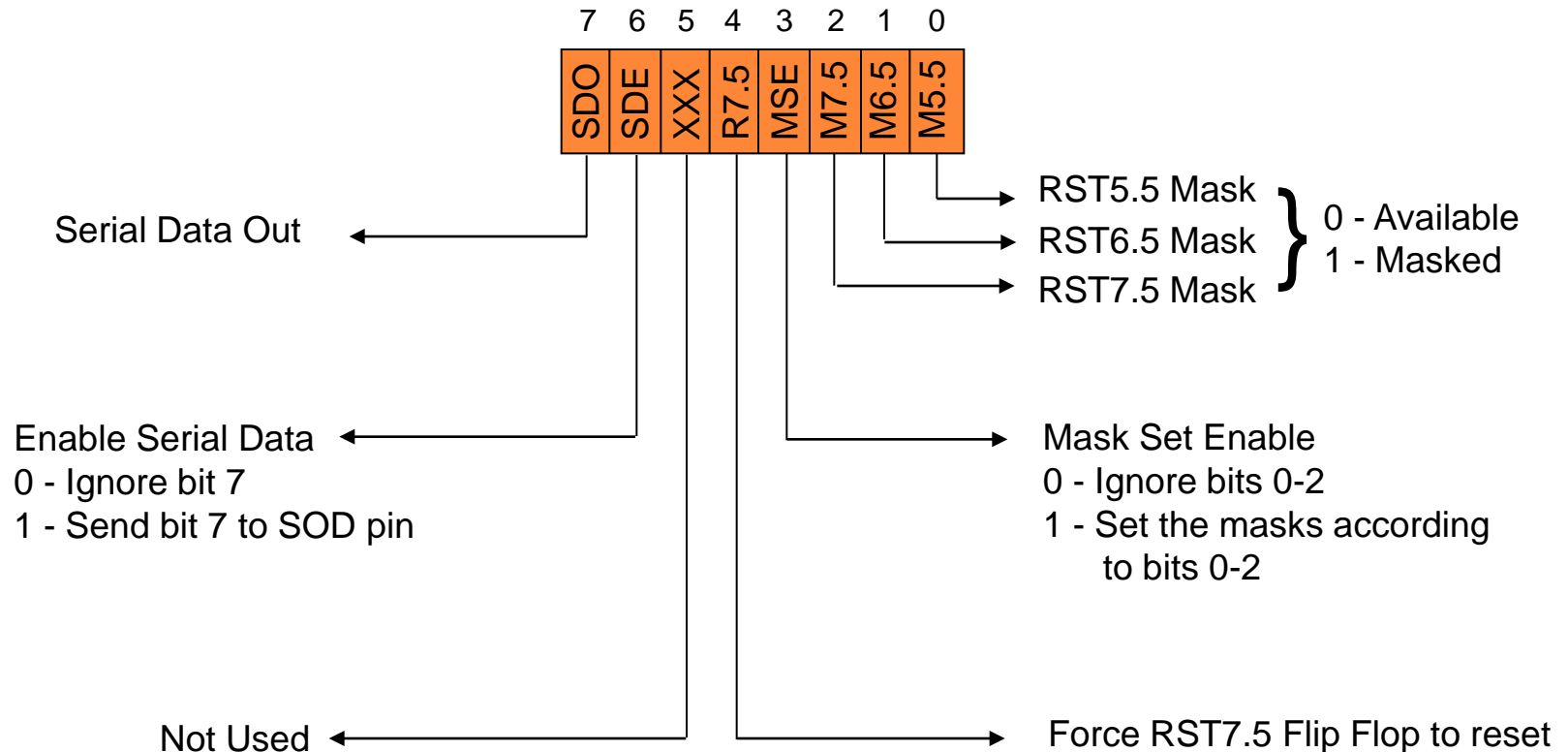
THE 8085 MASKABLE/VECTORED INTERRUPT PROCESS

5. When the microprocessor executes the call instruction, it **saves the address of the next instruction** on the stack.
6. The microprocessor **jumps to the specific service routine**.
7. The service routine must include the instruction **EI** to re-enable the interrupt process.
8. At the end of the service routine, the **RET** instruction **returns the execution to where the program was interrupted**.

MANIPULATING THE MASKS

- The Interrupt Enable flip flop is manipulated using the EI/DI instructions.
- The individual **masks** for RST 5.5, RST 6.5 and RST 7.5 are manipulated using the **SIM** instruction.
 - This instruction takes the bit pattern in the Accumulator and applies it to the interrupt mask enabling and disabling the specific interrupts.

HOW SIM INTERPRETS THE ACCUMULATOR



SIM AND THE INTERRUPT MASK

- Bit 0 is the **mask** for RST 5.5, bit 1 is the **mask** for RST 6.5 and bit 2 is the **mask** for RST 7.5.
 - If the mask bit is 0, the interrupt is **available**.
 - If the mask bit is 1, the interrupt is **masked**.
- Bit 3 (Mask Set Enable - MSE) is an **enable for setting the mask**.
 - If it is set to 0 the mask is **ignored** and the old settings remain.
 - If it is set to 1, the new settings are **applied**.
 - The SIM instruction is used for multiple purposes and not only for setting interrupt masks.
 - It is also used to control functionality such as Serial Data Transmission.
 - Therefore, bit 3 is necessary to tell the microprocessor whether or not the interrupt masks should be modified

SIM AND THE INTERRUPT MASK

- The RST 7.5 interrupt is the **only** 8085 interrupt that has **memory**.
 - If a signal on RST7.5 arrives while it is masked, a flip flop will remember the signal.
 - When RST7.5 is unmasked, the microprocessor will be interrupted **even if the device has removed the interrupt signal**.
 - This flip flop will be **automatically reset** when the microprocessor **responds to an RST 7.5 interrupt**.
- Bit 4 of the accumulator in the SIM instruction allows **explicitly resetting** the RST 7.5 memory even if the microprocessor did not respond to it.
- Bit 5 is not used by the SIM instruction

USING THE SIM INSTRUCTION TO MODIFY THE INTERRUPT MASKS

- Example: Set the interrupt masks so that RST5.5 is enabled, RST6.5 is masked, and RST7.5 is enabled.

- First, determine the contents of the accumulator

- Enable 5.5 bit 0 = 0
- Disable 6.5 bit 1 = 1
- Enable 7.5 bit 2 = 0
- Allow setting the masks bit 3 = 1
- Don't reset the flip flop bit 4 = 0
- Bit 5 is not used bit 5 = 0
- Don't use serial data bit 6 = 0
- Serial data is ignored bit 7 = 0

SDO	SDE	XXX	R7.5	MSE	M7.5	M6.5	M5.5
0	0	0	0	1	0	1	0

Contents of accumulator are: 0AH

```

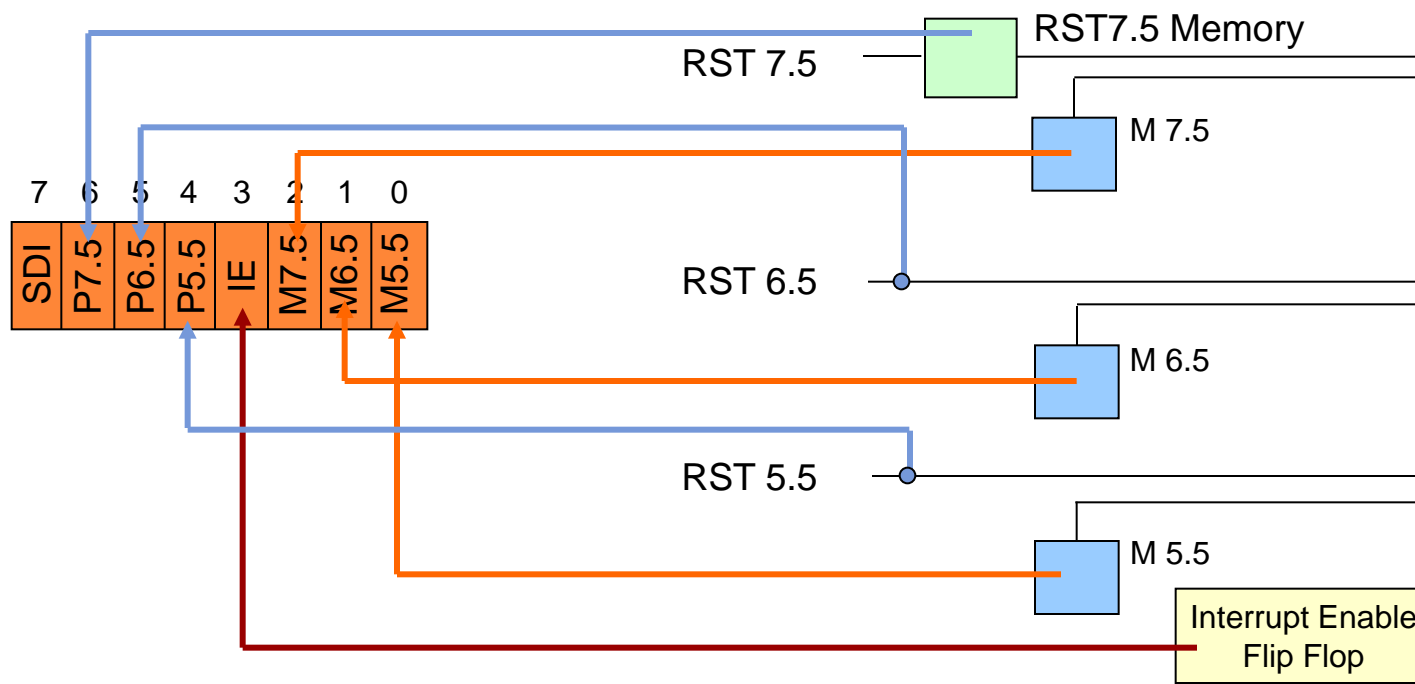
EI           ; Enable interrupts including INTR
MVI A, 0AH ; Prepare the mask to enable RST 7.5, and 5.5, disable 6.5
SIM        ; Apply the settings RST masks
    
```

TRIGGERING LEVELS

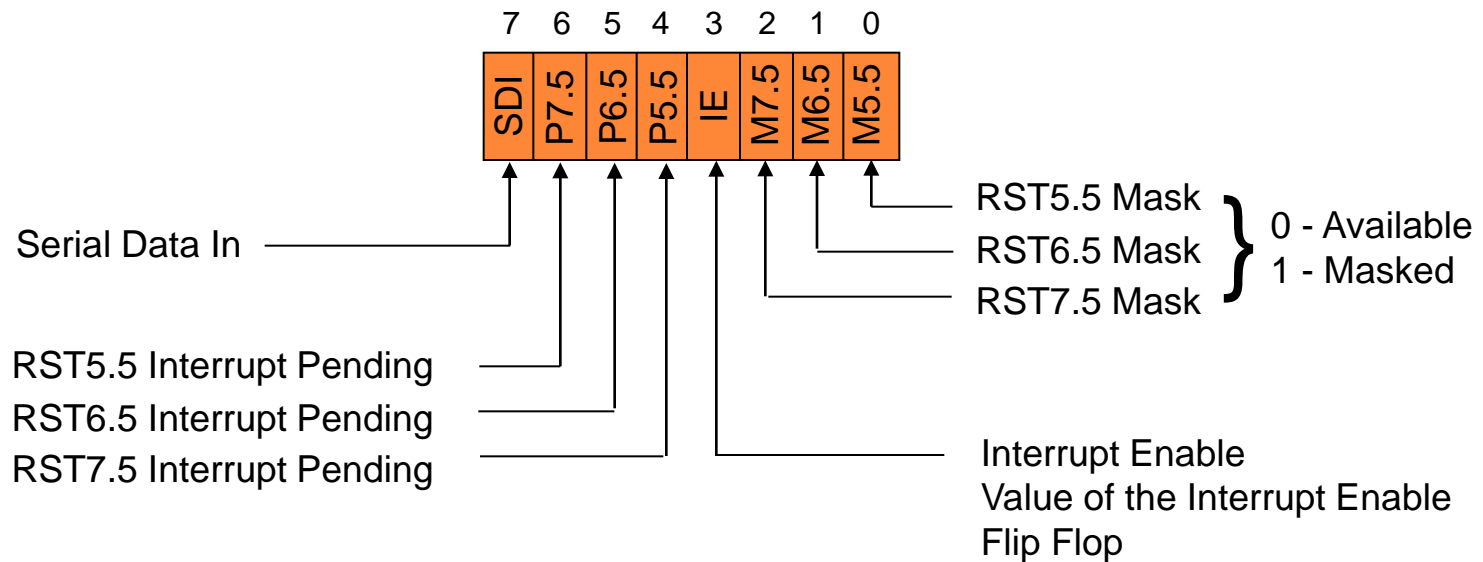
- RST 7.5 is **positive edge sensitive**.
 - When a positive edge appears on the RST7.5 line, a logic 1 is **stored** in the flip-flop as a “**pending**” interrupt.
 - Since the value has been stored in the flip flop, the line **does not have to be high** when the microprocessor checks for the interrupt to be recognized.
 - The line must **go to zero and back to one** before a new interrupt is recognized.
- RST 6.5 and RST 5.5 are **level sensitive**.
 - The interrupting signal **must remain present until the microprocessor checks for interrupts**.

DETERMINING THE CURRENT MASK SETTINGS

- RIM instruction: Read Interrupt Mask
 - Load the **accumulator** with an 8-bit pattern showing the status of each interrupt pin and mask.



HOW RIM SETS THE ACCUMULATOR'S DIFFERENT BITS



THE RIM INSTRUCTION AND THE MASKS

- Bits 0-2 show the current **setting of the mask** for each of RST 7.5, RST 6.5 and RST 5.5
 - They return the contents of the three mask flip flops.
 - They can be used by a program to read the mask settings in order to modify only the right mask.
- Bit 3 shows whether the maskable interrupt process is **enabled or not**.
 - It returns the contents of the Interrupt Enable Flip Flop.
 - It can be used by a program to determine whether or not interrupts are enabled.

THE RIM INSTRUCTION AND THE MASKS

- Bits 4-6 show whether or not there are **pending interrupts** on RST 7.5, RST 6.5, and RST 5.5
 - Bits 4 and 5 return the current value of the RST5.5 and RST6.5 **pins**.
 - Bit 6 returns the current value of the RST7.5 memory **flip flop**.
- Bit 7 is used for **Serial Data Input**.
 - The RIM instruction reads the value of the **SID pin** on the microprocessor and returns it in this bit.

PENDING INTERRUPTS

- Since the 8085 has five interrupt lines, interrupts may occur during an ISR and remain pending.
 - Using the **RIM** instruction, it is possible to can read the status of the interrupt lines and find if there are any pending interrupts.
 - See the example of the class

TRAP

- TRAP is the only **non-maskable** interrupt.
 - It does not need to be enabled because it **cannot be disabled**.
- It **has the highest priority** amongst interrupts.
- It is **edge and level sensitive**.
 - It needs to be high and stay high to be recognized.
 - Once it is recognized, it won't be recognized again until it goes low, then high again.
- TRAP is usually used for power failure and emergency shutoff.

THE 8085 INTERRUPTS

Interrupt Name	Maskable	Masking Method	Vectored	Memory	Triggering Method
INTR	Yes	DI / EI	No	No	Level Sensitive
RST 5.5 / RST 6.5	Yes	DI / EI SIM	Yes	No	Level Sensitive
RST 7.5	Yes	DI / EI SIM	Yes	Yes	Edge Sensitive
TRAP	No	None	Yes	No	Level & Edge Sensitive

